



The ICI Gearbox

Bronze Gearbox

50:1 Short Shaft Gearbox

52:1 Long Shaft Gearbox

Superior

Engineering & Features

- Designed for Corner Arms, Linear Carts & Heavy Spans
- API Cartridge Input/Output Seals
- Bronze Bull Gear with Steel Alloy Worm Gear
- 2 1/4" (5.72 cm) High Strength Steel Input/Output Shafts
- Oversized Bearings on Input Shafts to Handle Higher Loads
- Premium Tapered Bearings
- 3-Year Warranty



Part #	Model	Description
1011814350	ICII-350GB	Bronze Gearbox, 50:1, Short Shaft, Non-Tow
1011814352	ICII-352GB	Bronze Gearbox, 52:1, Long Shaft, Non-Tow



(251) 626-5470
 info@irricomp.com
 www.irricomp.com
 www.icigears.com



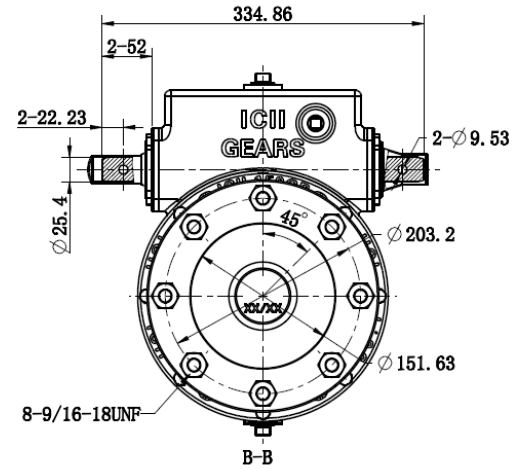
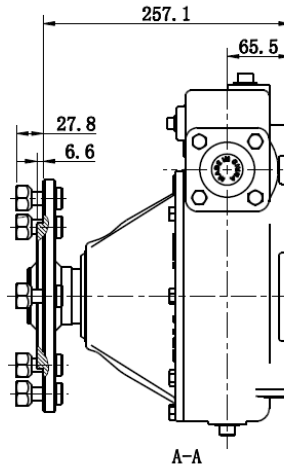
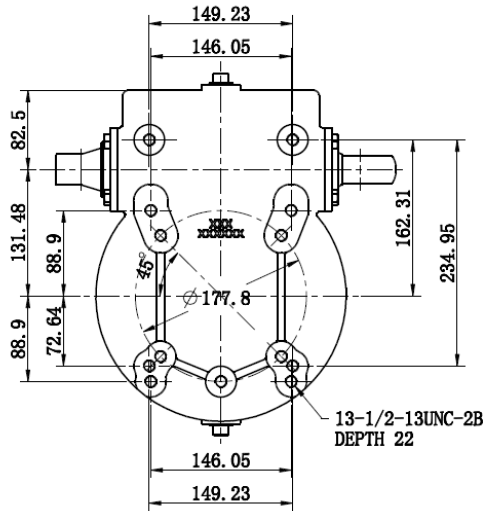
The ICI Gearbox

Bronze Gearbox

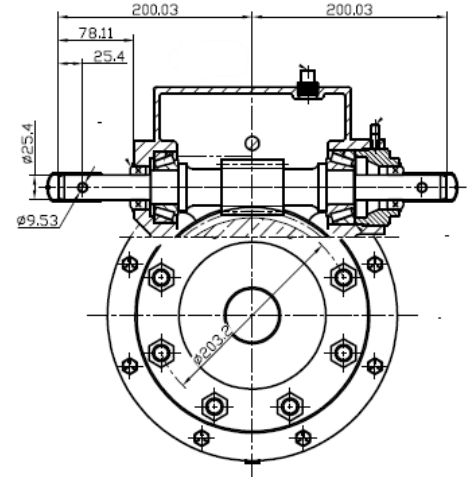
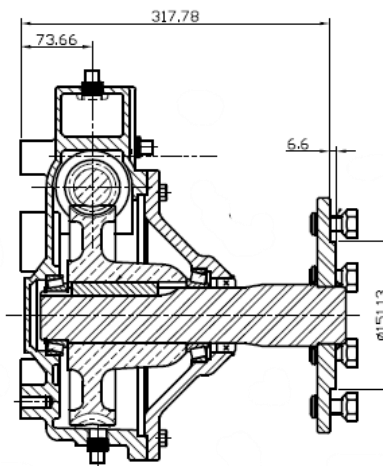
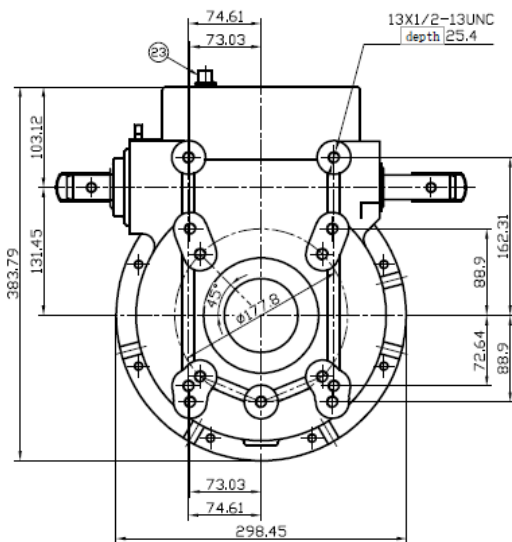
50:1 Short Shaft Gearbox

52:1 Long Shaft Gearbox

50:1 Gearbox



52:1 Gearbox



(251) 626-5470
 info@irricomp.com
 www.irricomp.com
 www.icigears.com